

# SIEMENS

## INSTALLATION INSTRUCTIONS

### Model FHA2056-U1/-R1

FS250/MPC Mechanical Migration Kit

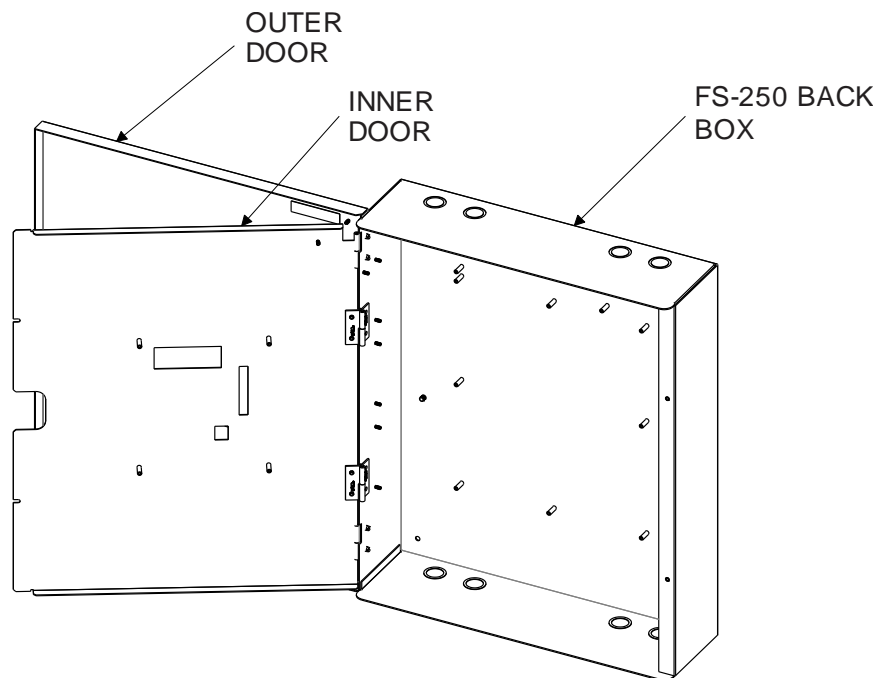
---

This kit contains:

- 1) Left Bracket (25 x 1.75 x 3.25)
- 2) Adapter plate (18.75 x 16.50 x 5.20)
- 3) Inner Door (20 x 19.50 x 1.0)
- 4) Outer Door (22.55 x 20.20 x 1.70)

**NOTE:** Prior to installation of this migration kit, verify that all necessary wiring is in place and in good shape, and panel location will accommodate the dimension of this kit.

1. Remove the FS250/MPC outer and inner door. Refer to Figure 1.



*Figure 1: Removing Inner and Outer Doors from the Back Box*

**NOTE:** If the inner door is spot-welded, cut off the locking hinge at the bottom and then slide out from the top to remove the inner door. Care must be taken to ensure that no sharp edges are protruding due to this removal.

2. Once the outer and inner doors are removed, insure that the back box is free of all wiring connections. Remove all the grounding connectors on the enclosure and all modules. Save all screw and nuts to mount the new adapters.
3. Mount the (3) screws for the adapter plate as shown in Figure 2. Secure the adapter plate with the additional (7) screws.

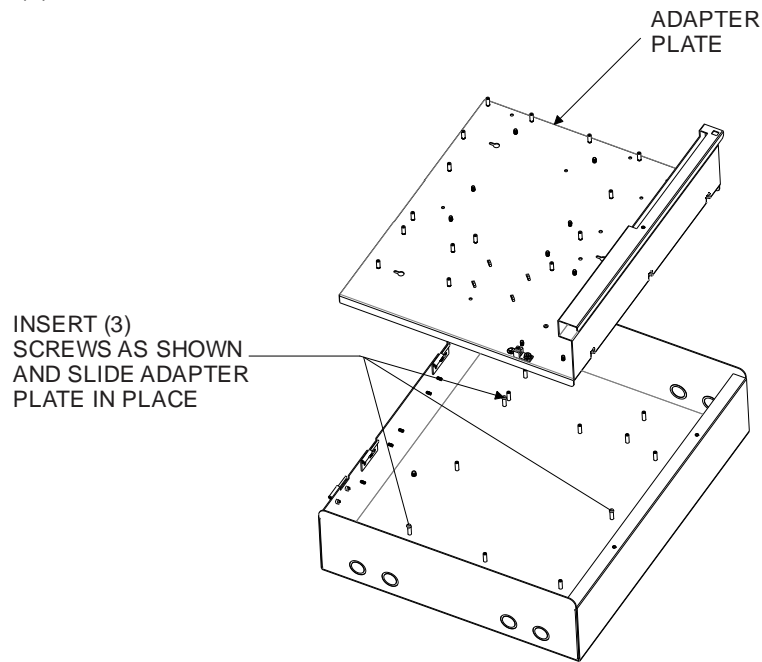


Figure 2: Mounting Adapter Plate inside the Back Box

4. Install the left bracket as shown in Figure 3, and then connect the earth ground to the adapter plate.

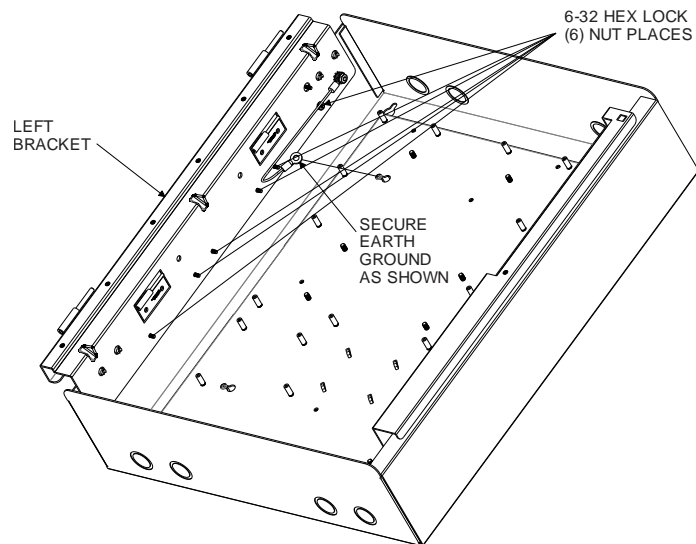


Figure 3: Mounting the Left Bracket

5. Mount the inner door to the left bracket with the screws provided. Refer to Figure 4.

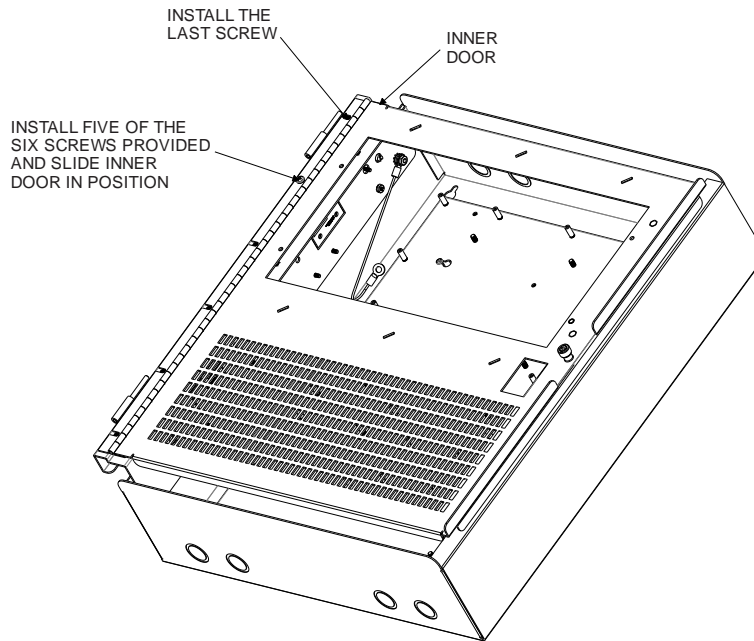


Figure 4: Mounting the Inner Door

6. Install the outer door, as shown in Figure 5, and connect its earth ground connection.

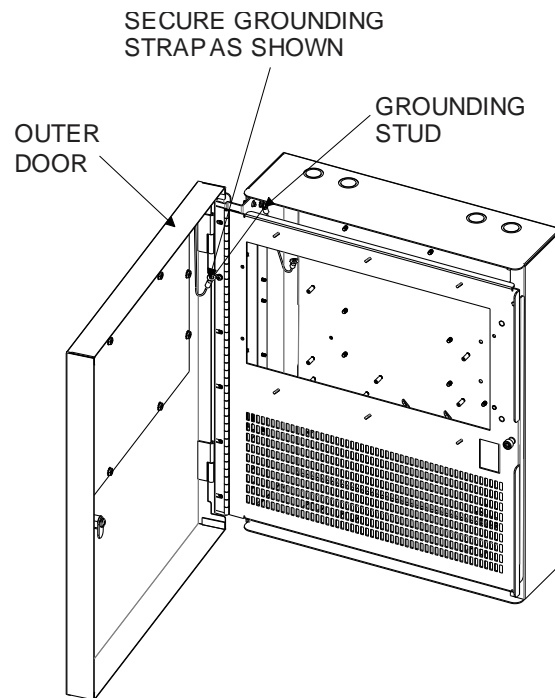


Figure 5: Mounting the Outer Door

7. For FC360 panels, install the FCM901-U2/-U3 into the inner door as shown in Figure 6.

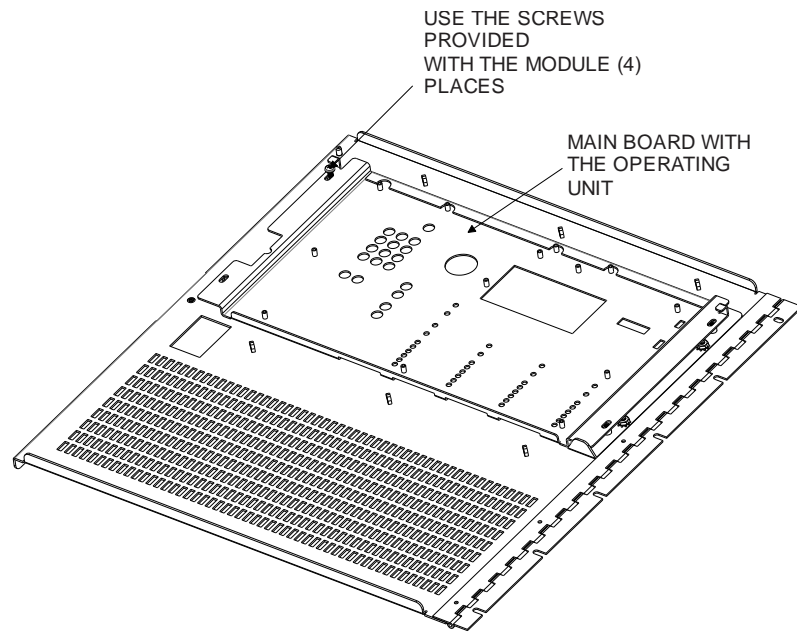


Figure 6: Mounting the FCM901-U2 on the Inner Door

8. For FS20 panels, install the FCM2018-U2/-U3, FCM2019-U2/-U3 into the inner door as shown in Figure 7.

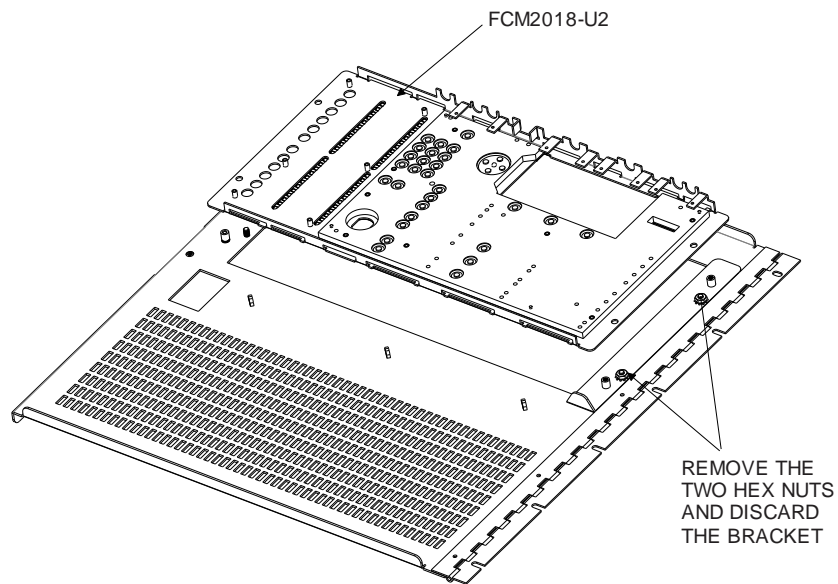


Figure 7: Mounting the FCM2018-U2 on the Inner Door

9. For FS20 panels, install the FS20 Modules onto the adapter plate as shown in Figure 8.

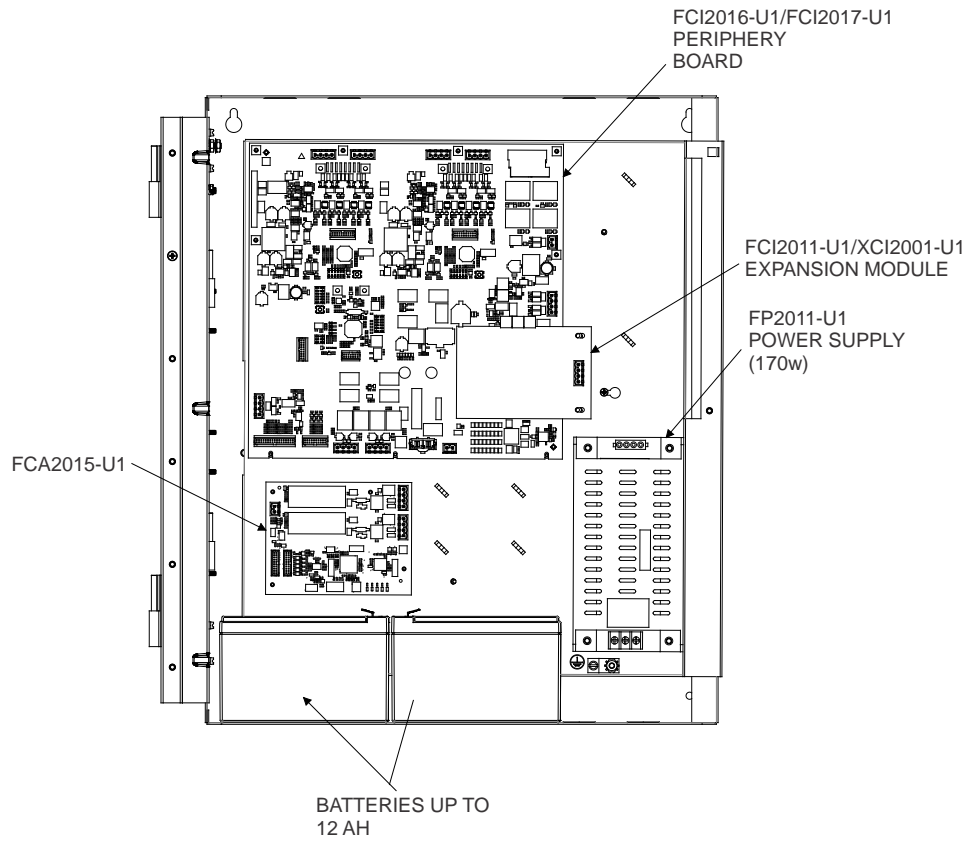
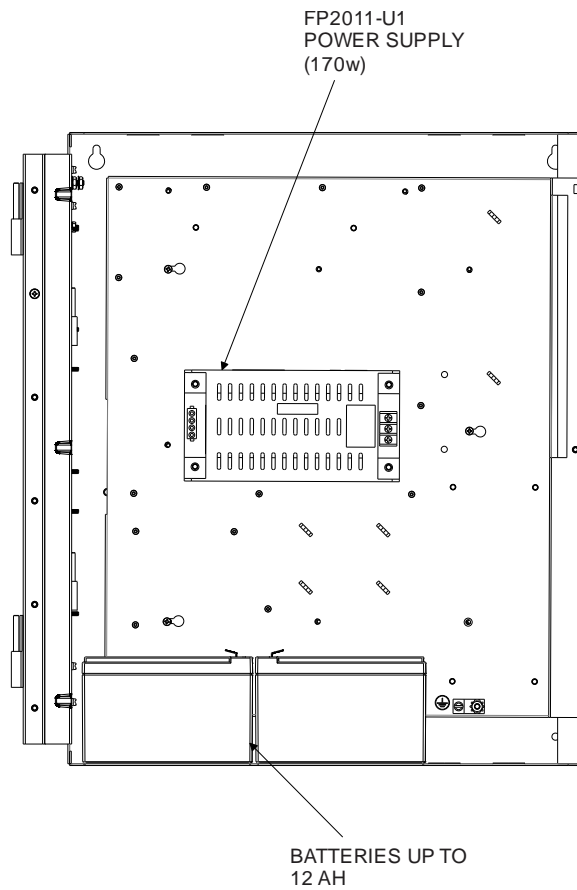


Figure 8: Mounting the FS20 Modules onto the Adapter Plate

10. For FC360 panels, install the power supply onto the adapter plate as shown in Figure 9.



*Figure 9: Mounting the FC360 Modules onto the Adapter Plate*

11. Refer to the panel's respective installation instructions for proper commission and operation procedure.

## **Cyber security disclaimer**

Siemens products and solutions provide security functions to ensure the secure operation of building comfort, fire safety, security management and physical security systems. The security functions on these products and solutions are important components of a comprehensive security concept.

It is, however, necessary to implement and maintain a comprehensive, state-of-the-art security concept that is customized to individual security needs. Such a security concept may result in additional site-specific preventive action to ensure that the building comfort, fire safety, security management or physical security system for your site are operated in a secure manner. These measures may include, but are not limited to, separating networks, physically protecting system components, user awareness programs, defense in depth, etc.

For additional information on building technology security and our offerings, contact your Siemens sales or project department. We strongly recommend customers to follow our security advisories, which provide information on the latest security threats, patches and other mitigation measures.

<http://www.siemens.com/cert/en/cert-security-advisories.htm>

This page has been left intentionally blank.